



LED LIGHTING

Unihopper



A

E

C

D

I

B

G

F

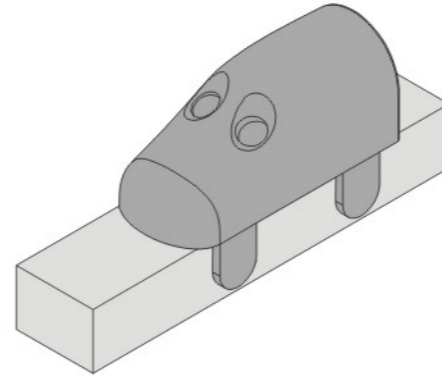
H



A Hinge lighting

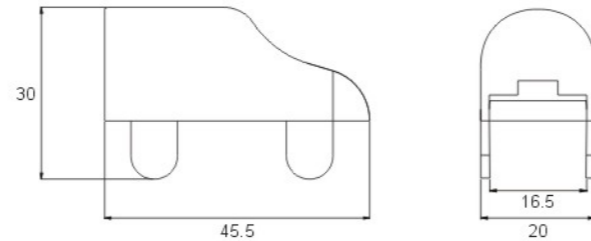
-Vibration sensor

- Operating voltage:4.5V
- Wattage:0.16W
- Light colour:4000K/6000K
- Number of LED:2pcs
- Size:45.5*20*30mm
- Vibration sensor



REMARKS

This LED lighting uses button cell battery, it is use for hinges on wall cabinet, wardrobe, and kitchen cabinets etc. Vibration sensor: The light is on when there's vibration, when lasts 10 seconds, it will off automatically. No need drilling.



Code No

LT1157.VB.(*)

Remarks:

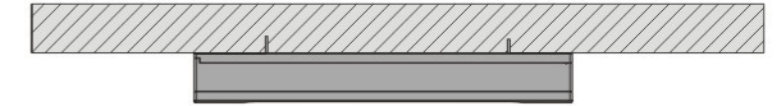
(*):Light source: cool white=CW/warm white=WW



B LED strip lighting

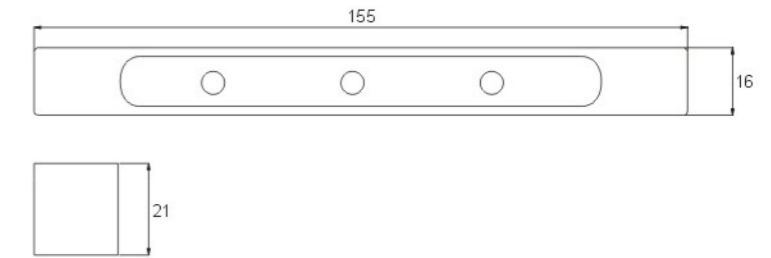
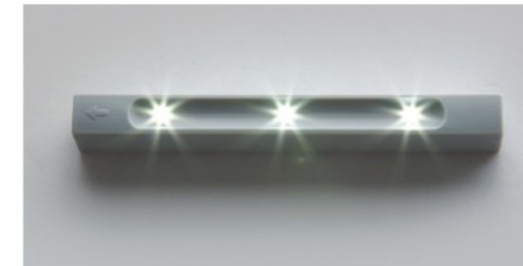
-Vibration sensor

- Operating voltage:4.5V
- Wattage:0.24W
- Light colour:4000K/6000K
- Number of LED:3pcs
- Size:155*16*21mm
- Vibration sensor



REMARKS

This LED lighting uses AAA battery, it can be used on wall cabinet, wardrobe, and kitchen cabinets etc. Vibration sensor: The light is on when there's vibration, when lasts 10 seconds, it will off automatically. No need drilling.



Code No

LT1130.VB.(*)

Remarks:

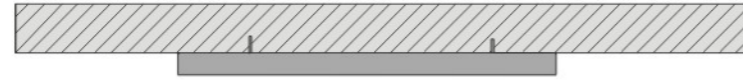
(*):Light source: cool white=CW/warm white=WW





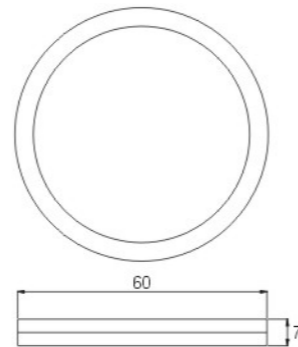
C Round LED cabinet lighting

- Operating voltage:DC12V
- Wattage:1.8W
- Light colour:4000K/6000K
- Number of LED:9pcs
- Size: $\varnothing 60 \times 7$ mm
- Plug for option: black plug/2510 white plug



REMARKS

This LED lighting's operating voltage is 12V, it can be used on wall cabinet, wardrobe, and kitchen cabinets etc. No need drilling.



Code No



LT 1103.NA.(*)

100Sets

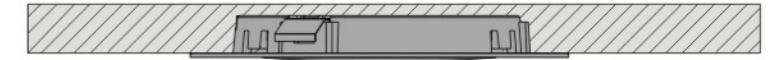
Remarks:

(*):Light source: cool white=CW/warm white=WW



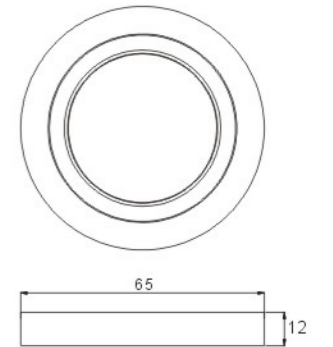
D Insert round LED lighting

- Operating voltage:DC12V
- Wattage:2W
- Light colour:4000K/6000K
- Number of LED:24pcs
- Size: $\varnothing 65 \times 12$ mm
- Insert mounted or surface mounted
- Plug for option: black plug/2510 white plug



REMARKS

This LED lighting's operating voltage is 12V, it can be used on wall cabinet, wardrobe, and kitchen cabinets etc. Insert mounted or surface mounted.



Code No



LT 1163.NA.(*)

100Sets

LT 1166.NA.(*)

100Sets

Remarks:

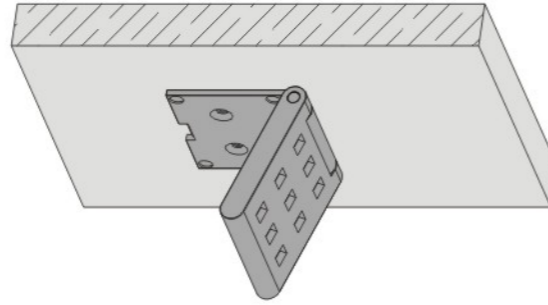
(*):Light source: cool white=CW/warm white=WW





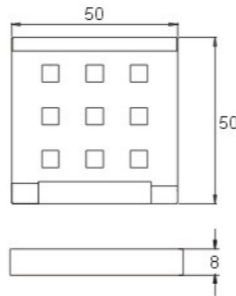
E Square angle adjustable LED lighting

- Operating voltage:DC12V
- Wattage:1.8W
- Light colour:4000K/6000K
- Number of LED:9pcs
- Size:50*50*8mm
- Angle adjustable LED lighting
- Plug for option: black plug/2510 white plug



REMARKS

This LED lighting's operating voltage is 12V,
it can be used on wall cabinet, wardrobe, and kitchen cabinets etc.
Angle adjustable
No need drilling.



Code No

LT 1164.NA.(*)

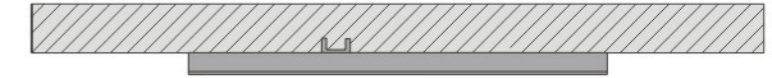
Remarks:
(*):Light source: cool white=CW/warm white=WW



F Long strip sensor LED lighting

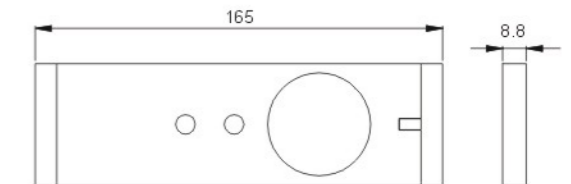
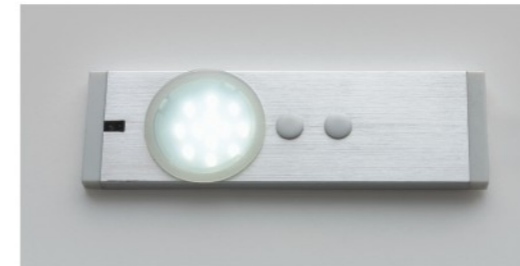
-Sensor switch

- Operating voltage:DC12V
- Wattage:1.8W
- Light colour:4000K/6000K
- Number of LED:12pcs
- Size:165*50*8.8mm
- Sensor switch
- Plug for option: black plug/2510 white plug



REMARKS

This LED lighting's operating voltage is 12V,
it can be used on wall cabinet and kitchen cabinets etc.
Sensor switch:the lighting is on when hand shaking, and it's off when hand shaking again
No need drilling.



Code No

LT 1153.BR.(*)

Remarks:
(*):Light source: cool white=CW/warm white=WW





G Long strip sensor LED lighting

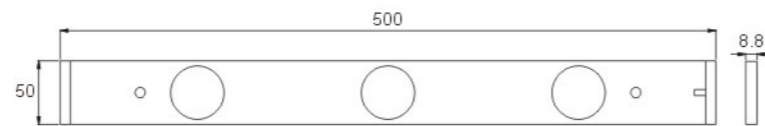
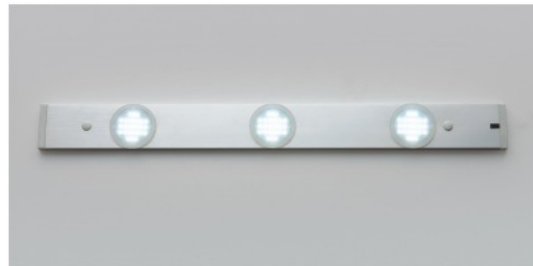
-Sensor switch

- Operating voltage:DC12V
- Wattage:5.8W
- Light colour:4000K/6000K
- Number of LED:36pcs
- Size:500*50*8.8mm
- Sensor switch
- Plug for option: black plug/2510 white plug



REMARKS

This LED lighting's operating voltage is 12V, it can be used on wall cabinet, wardrobe, and kitchen cabinets etc.
Sensor switch:the lighting is on when hand shaking, and it's off when hand shaking again
No need drilling.



Code No

LT 1152.BR.(^)

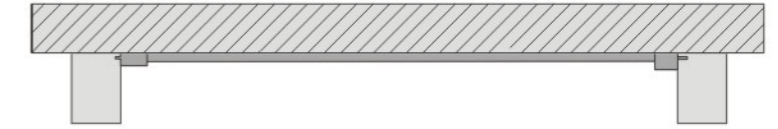
Remarks:
 (^):Light source: cool white=CW/warm white=WW



H Long strip sensor LED lighting

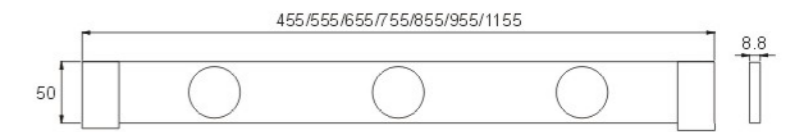
-Sensor switch

- Operating voltage:DC12V
- Light colour:4000K/6000K
- Number of LED:36pcs
- Sensor switch
- Plug for option: black plug/2510 white plug
- D1:Length:455mm/Wattage:5.8W/Windows:3Pcs
- D2:Length:555mm/Wattage:5.8W/Windows:3Pcs
- D3:Length:655mm/Wattage:7.4W/Windows:4Pcs
- D4:Length:755mm/Wattage:9W/Windows:5Pcs
- D5:Length:855mm/Wattage:9W/Windows:5Pcs
- D6:Length:955mm/Wattage:10.6W/Windows:6Pcs
- D7:Length:1155mm/Wattage:12.2W/Windows:7Pcs



REMARKS

This LED lighting's operating voltage is 12V, it can be used on wall cabinet and kitchen cabinets etc.
Sensor switch:lights on when the door is opened, off when the door is closed
No need drilling.



Code No

LT 1133.IR.(^).(^)

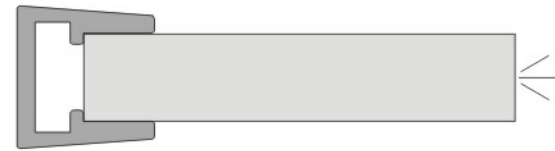
Remarks:
 (^):D1/D2/D3/D4/D5/D6/D7
 (*) :Light source: cool white=CW/warm white=WW





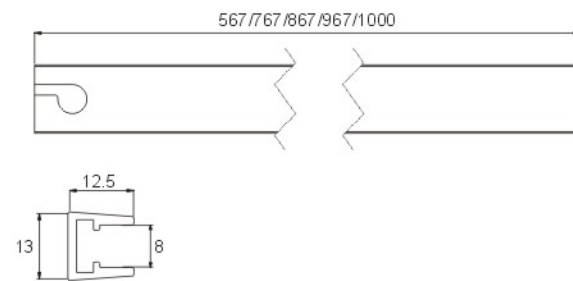
LED strip for glass panel

- Operating voltage:DC12V
- Light colour:4000K/6000K/8000K/red/yellow/blue
- LED strip for glass panel
- Plug for option: black plug/2510 white plug
- D1:Length:567mm/Wattage:2W/Windows:30Pcs
- D2:Length:767mm/Wattage:2.8W/Windows:42Pcs
- D3:Length:867mm/Wattage:3.2W/Windows:48Pcs
- D4:Length:967mm/Wattage:3.6W/Windows:54Pcs
- D5:Length:1000mm/Wattage:3.8W/Windows:57Pcs



REMARKS

This LED lighting's operating voltage is 12V, suit for wall cabinet, kitchen cabinet and glass panel in showcase
No need drilling.



Code No

LT1141.NA.(^).(8)

Remarks:
(^):D1/D2/D3/D4/D5(Length can be customized)
(8):Light source: WW/CW/BU/YW/RD/GN



Power supply

- Operating voltage:
IN:AC100-240V 50-60HZ
OUT:DC12V 1.5A
- Wattage:8W/18W/28W
- Power supply



Code No

E15.(^)

Remarks:
(^):Wattage:8W/18W/28W

